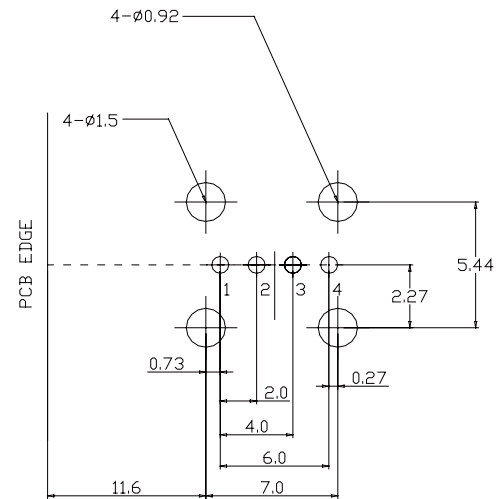
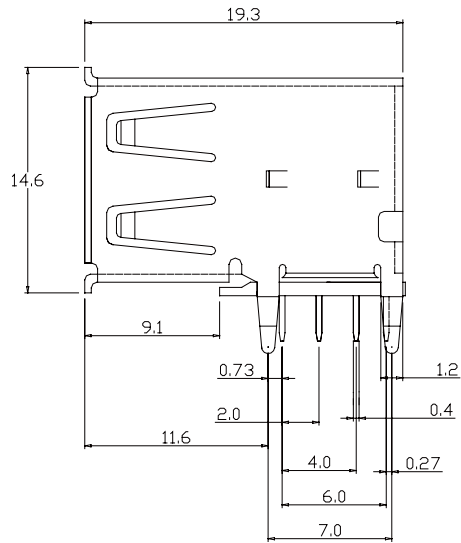
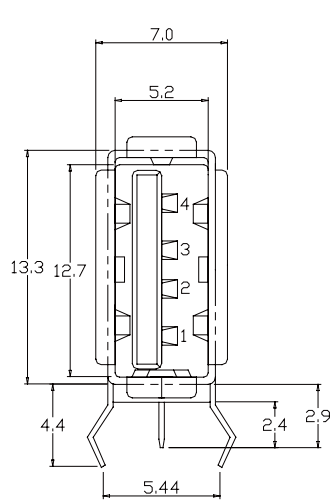


|       |     |                               |           |      |
|-------|-----|-------------------------------|-----------|------|
| BY    | CHK | REVISION RECORD MODIFICATIONS | DATE      | REV. |
| ALLEN |     | RELEASE TO PRODUCTION         | 2007,9,10 | 1.0  |



PCB LAYOUT  
(BOTTOM VIEW)

| No. | NAME         | MATERIAL              | FINISH          | REMARK                       | Q'TY |
|-----|--------------|-----------------------|-----------------|------------------------------|------|
| 1   | HOUSING      | P.B.T, G.F.           | WHITE/BLACK     |                              | 1    |
| 2   | PIN TERM.    | COPPER ALLOY T:0.25mm | GOLD/TIN PLATED | NI:1-1.5u/TIN:3u.<br>GOLD:30 | 4    |
| 3   | SHELL        | BRASS T:0.3           | NICKEL PLATED   | NI:2-3                       | 1    |
| 4   | SHELL        | SPCC T:0.3            | NICKEL PLATED   | NI:2-3                       | 1    |
| 5   | BOTTOM COVER | P.B.T, G.F.           | WHITE           |                              | 1    |

Part No.: USB-001V-A  -L

B:Black W:White

|       |       |       |          |                       |       |    |
|-------|-------|-------|----------|-----------------------|-------|----|
| APPRO | CHECK | DRAWN | PART NO. | Part No.:USB-001V-A-L |       |    |
|       |       |       | ITEM NO. |                       |       |    |
|       |       |       | DRAW NO. |                       |       |    |
|       |       |       | UNIT     | mm                    | SCALE | no |
|       |       |       | TOLER    |                       | NO.   |    |

DESCRIPTION

